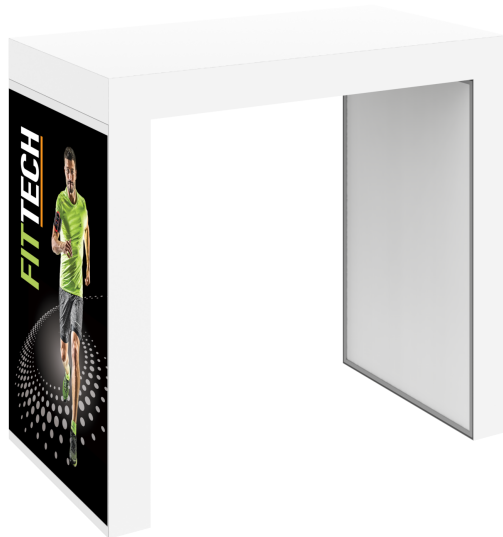


Hybrid Pro Modular Counter 17

HPC-17

The Hybrid Pro™ Modular Counter 17 is a bright and clever counter! It features backlit SEG graphics on both sides, making your brand and message glow! The counter has a wood top, light box frames with SEG graphics on both the left and right sides and it packs down easy to ship quick!



features and benefits:

- Modern illuminated counter
- Wood top, available in 4 color options
- Laminate overlays the extrusion frame and matches counter top color
- Light box slides make graphics glow
- Three piece assembly for quick set up
- Packs into OCH2 portable case

dimensions:

Hardware

Assembled unit:

43.31" w x 39.37" h x 23.23" d
1100mm(w) x 1000mm(h) x 590(d)

Approximate Weight:
68 lbs / 31 kg

Graphics

Refer to related graphic templates for more information Visit:

<https://www.theexhibitorshandbook.com/downloads/download-graphic-templates> or click here

Shipping

Packing case(s):
1 OCH2

Shipping dimensions:
OCH2:
(52" L x 29" H x 15" D)
1448mm(l) x 1449mm(h) x 838mm(d)

Approximate shipping weight:
103lbs / 47 kg

additional information:

Graphic material:

Dye-sublimation SEG push-fit fabric

Panel Colors:



Dove
Grey

Black

Designer
White

Fusion
Maple

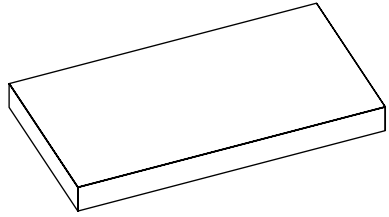
1 person assembly recommended:



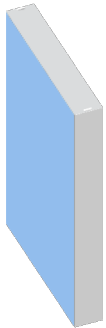
This product may include the following materials for recycle: aluminum, select wood, fabric, cardboard, paper, steel, and plastics.

We are continually improving and modifying our product range and reserve the right to vary the specifications without prior notice. All dimensions and weights quoted are approximate and we accept no responsibility for variance. E&OE. See Graphic Templates for graphic bleed specifications

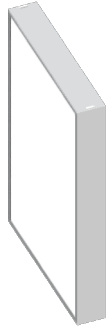
Included In Your Kit



x1 COUNTER TOP



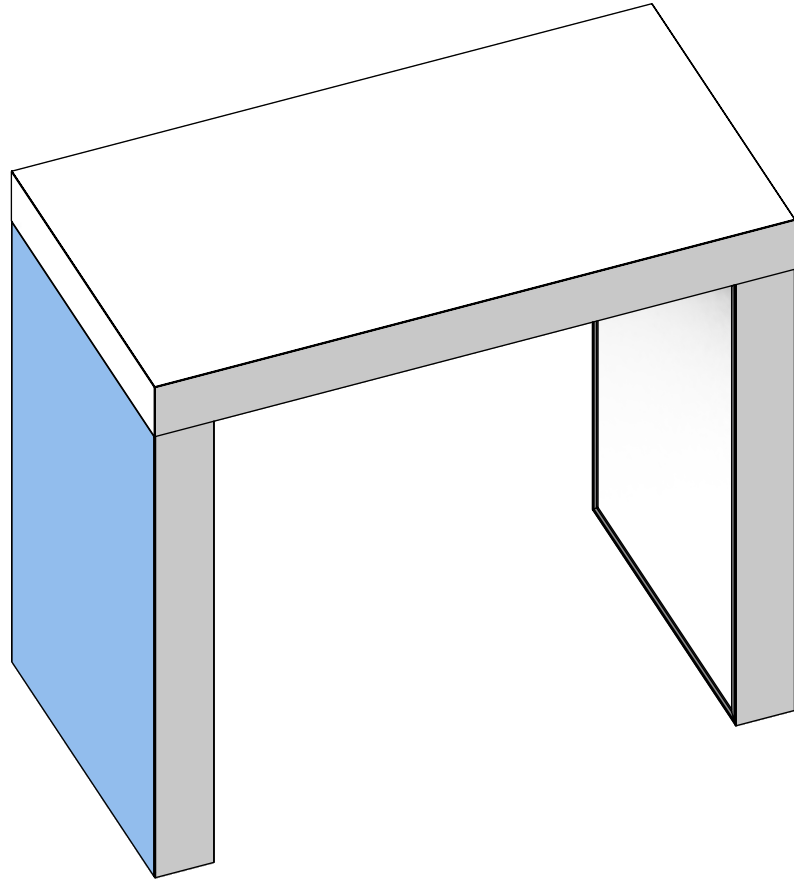
x1 LEG



x1 LEG

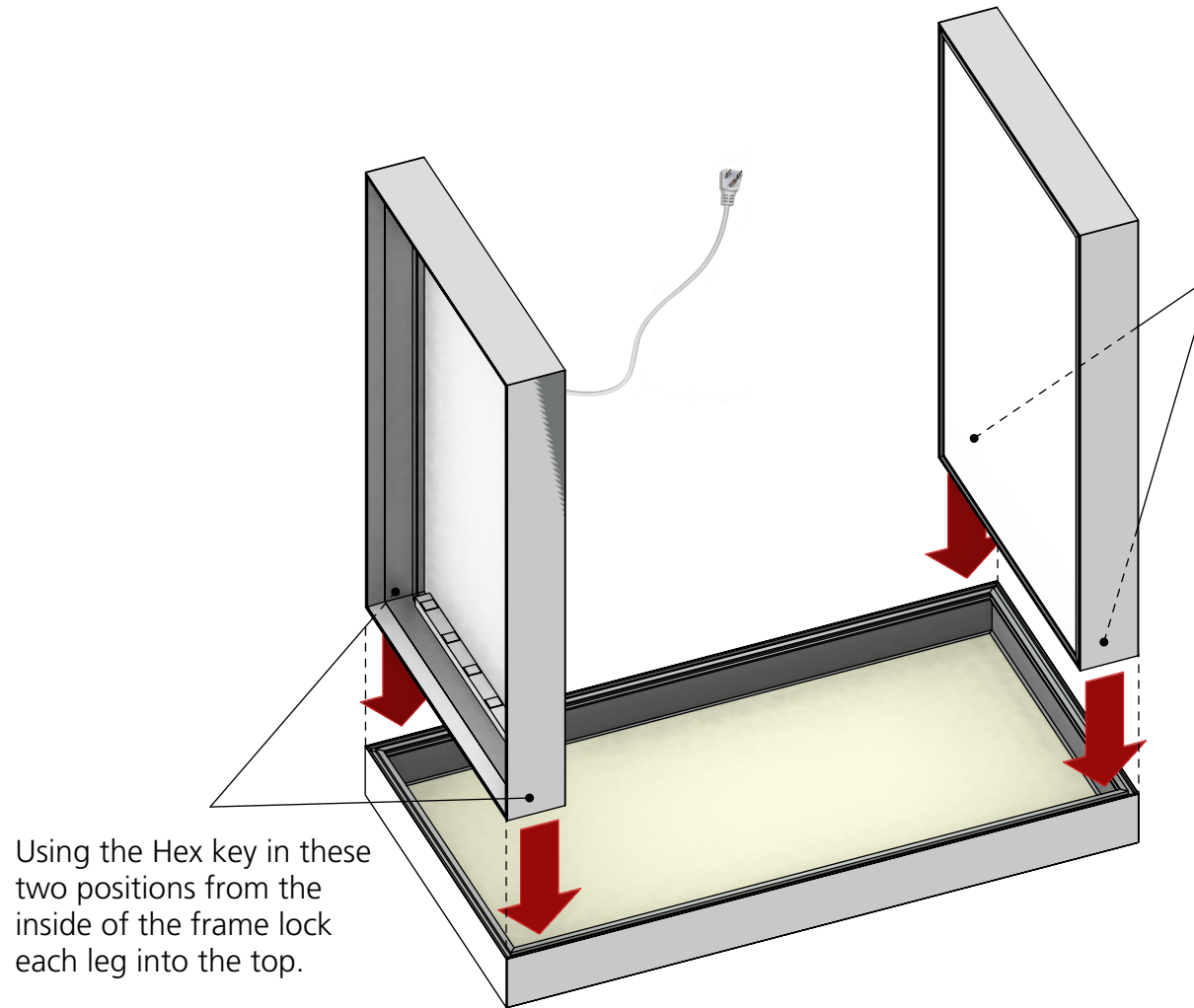


7PC (SILVER) HEX KEY SET



Hybrid Pro Modular Counter 17

1. Remove the top panels from case and lay it upside down on the floor, then lock each vertical side to the top as shown using the provided hex key. Be sure to match the colored dots for correct positions.

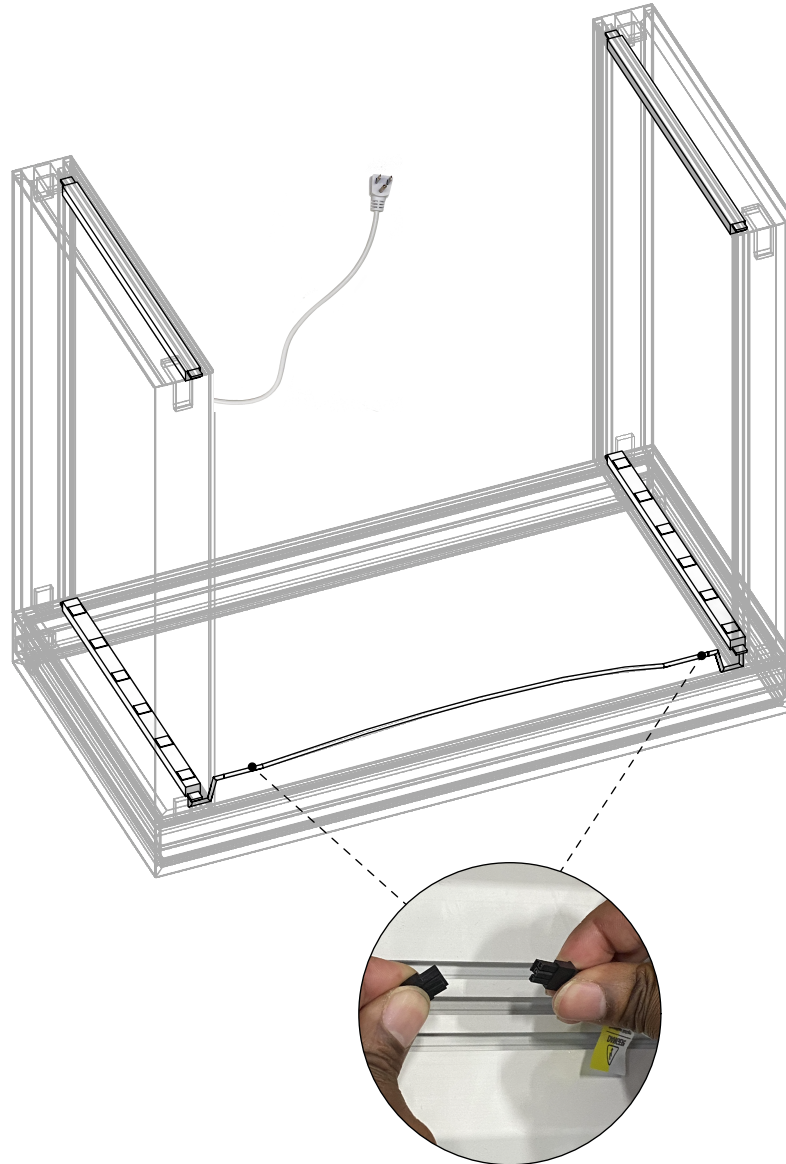


Using the Hex key in these two positions from the inside of the frame lock each leg into the top.



STEP-1

Hybrid Pro Modular Counter 17

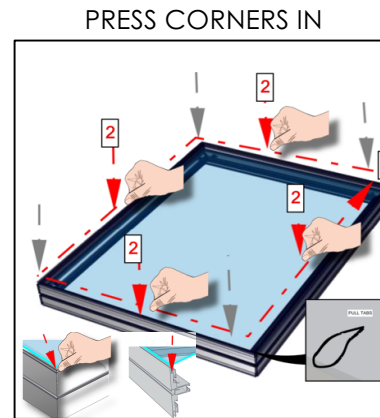
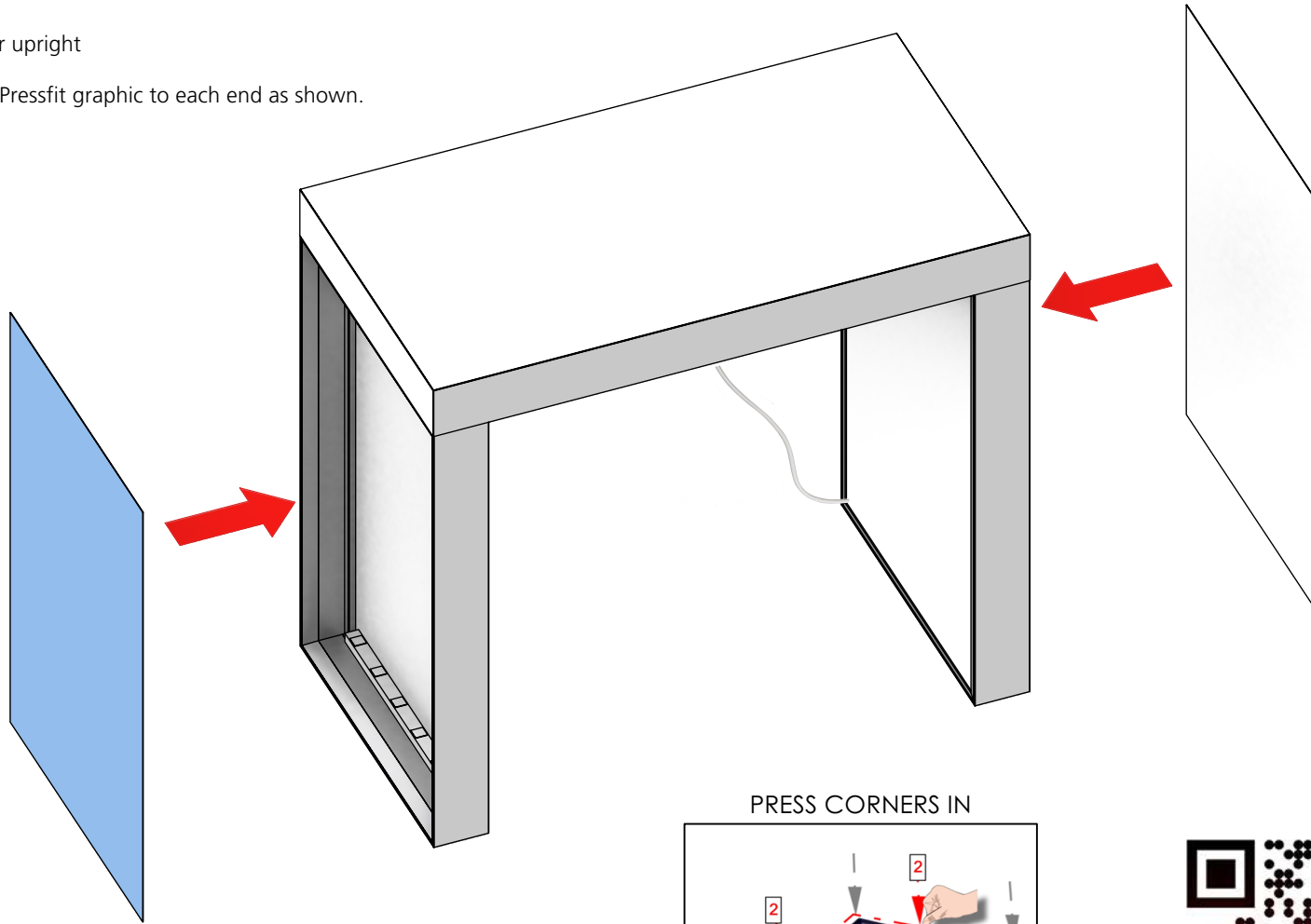


Next connection the jumper cable that is attached to the underside of the counter top to the two LED light leads from each legs LED light.

STEP-2

Hybrid Pro Modular Counter 17

1. Stand counter upright
2. Add the SEG Pressfit graphic to each end as shown.



THEN PRESS ALONG THE PERIMETER EDGE

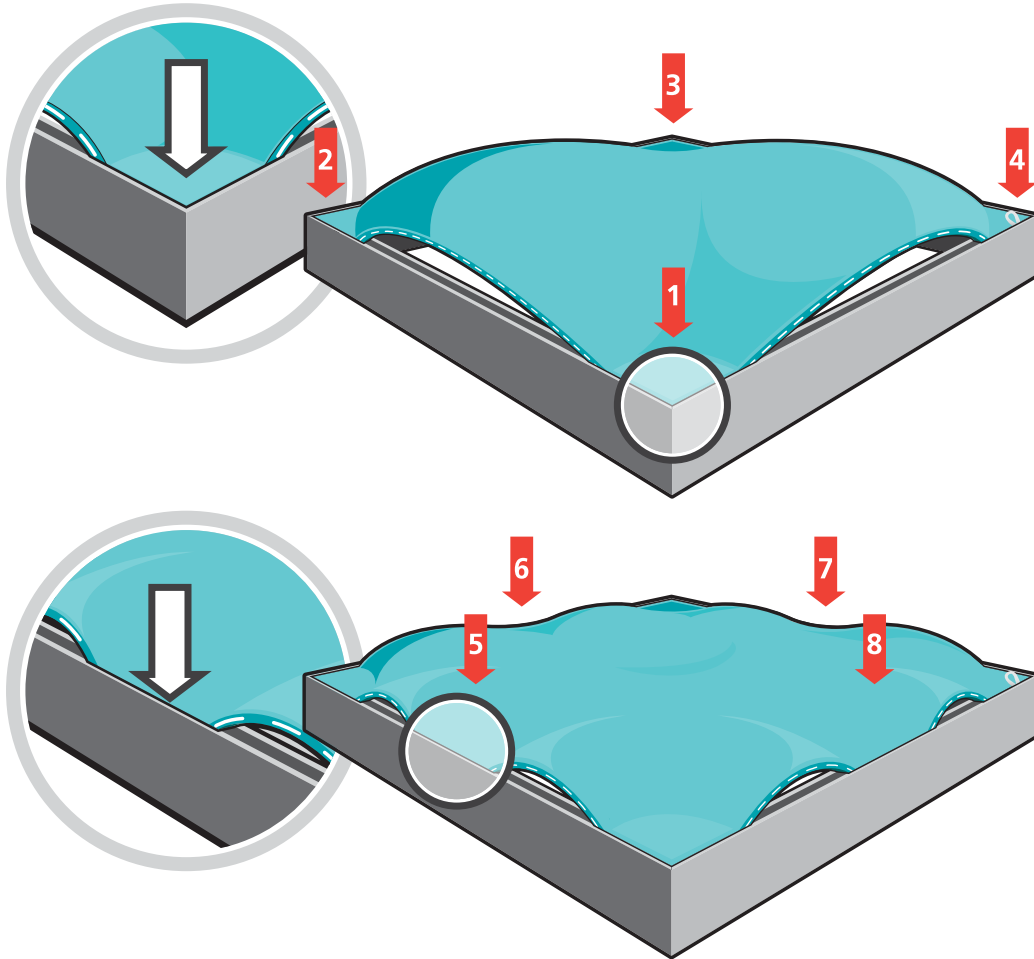


STEP-3

How to Apply & Remove Graphics

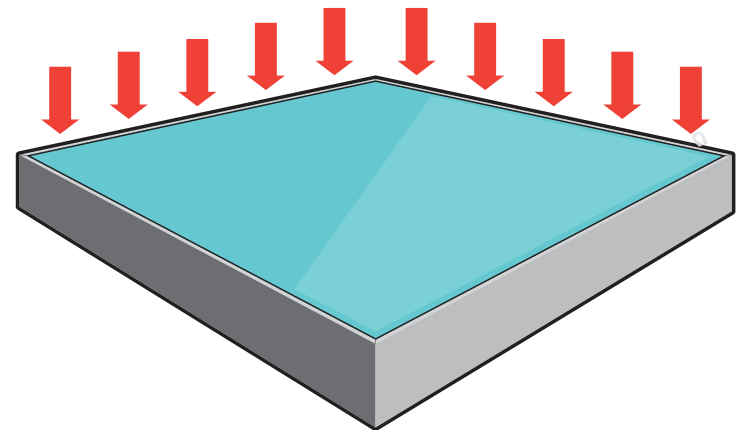
Installation and removal of SEG graphics is easy!

Installation: Push the SEG bead into each corner of the frame (1-4) with your thumb, then push the SEG bead into the middle of the run (5-8) and work your way around the perimeter of the frame until all beading is pushed in properly; if necessary, go around the perimeter again to ensure beading is secure in the extrusion profile.



Note: Keep the set up area clean by using a drop cloth, washing hands before set-up or by wearing gloves.

Removal: Use the pull tab located on the graphic and gently pull the graphic from the frame, going around the perimeter.



Graphics Storage & Care

Graphics should be folded with the graphic facing inward and stored in a zip lock /sealable plastic bag. Spot clean by wiping with a damp white cloth. If washing is necessary, use a commercial size front-loading washing machine, gentle cycle with cool water. Line dry flat. Dry cleaning is NOT recommended to prevent shrinkage.