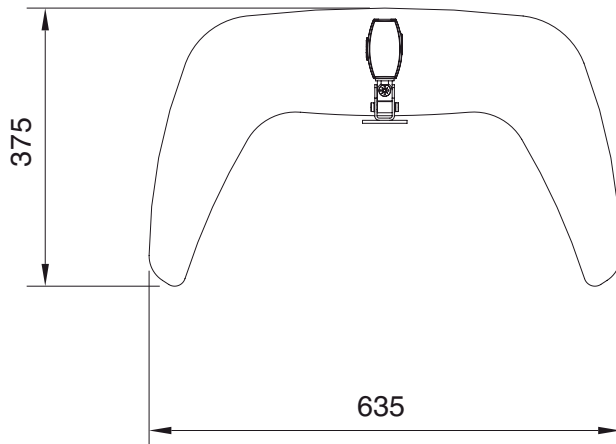
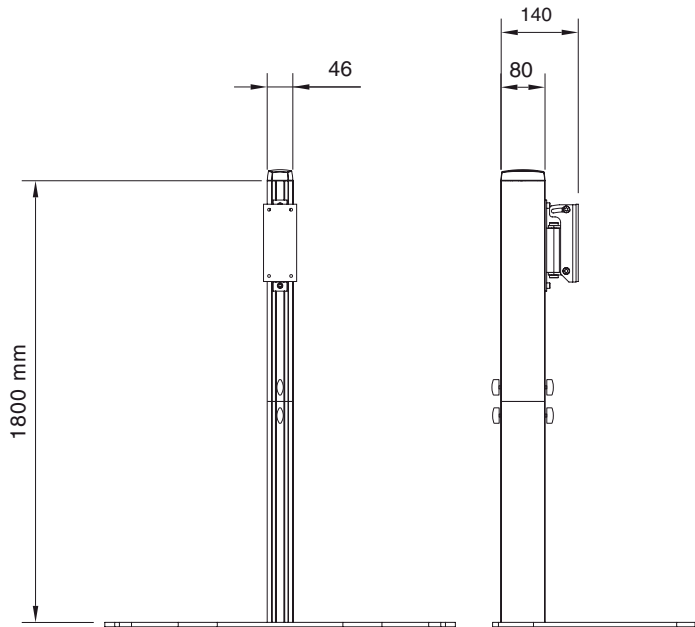


## IMPACT SPANDREL MONITOR STAND : SPECIFICATIONS

- Max load: 30kg or 42"
- Length: 1800mm.
- Swivel & Tilt: The screen can be tilted approx +12°/-3° and swiveled approx +/- 45°.
- Fits Vesa standard: 75x75/100x100/200x100/200x200/400x200mm and screens with max hole pattern: 420x330 mm.



Before mounting your flat screen to the Monitor Stand decide the height you prefer (maximum 1800mm) by measuring the height from the floor all the way up to the center/base of the screen plate. As a last step, make a rectangular shaped hole on your Pop Up panel measuring 400x200mm (WxH). Put the Pop Up panel in place before you mount the flat screen on to the Monitor Stand.

