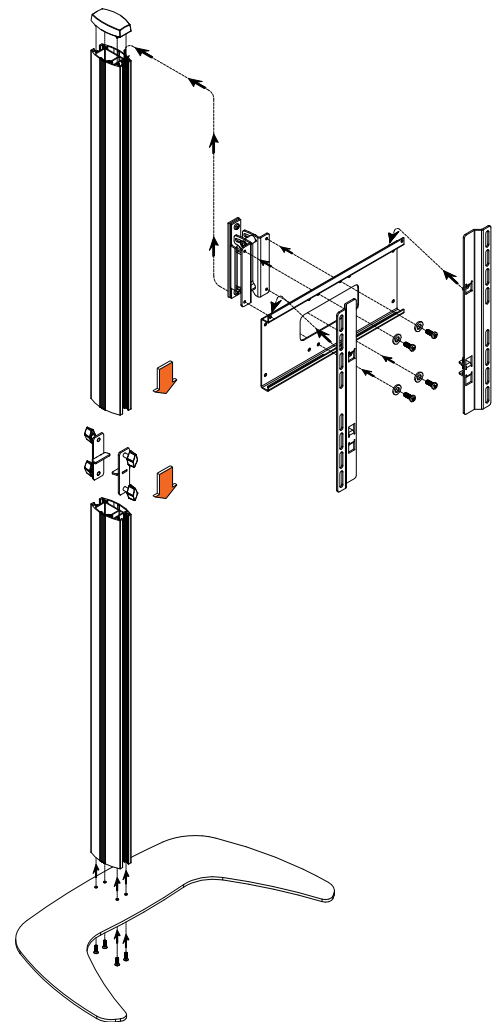
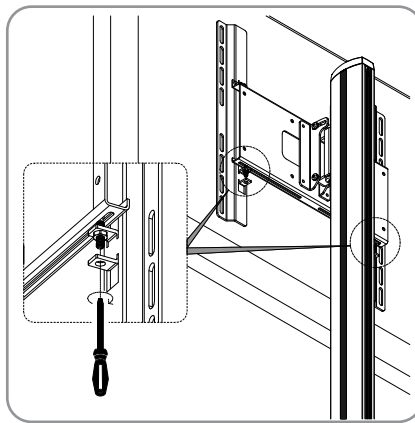
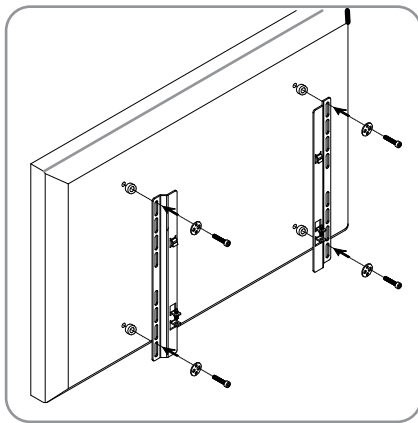
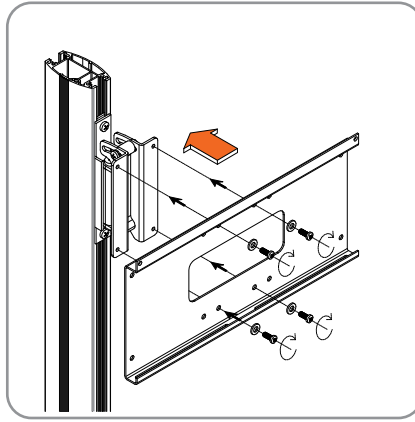
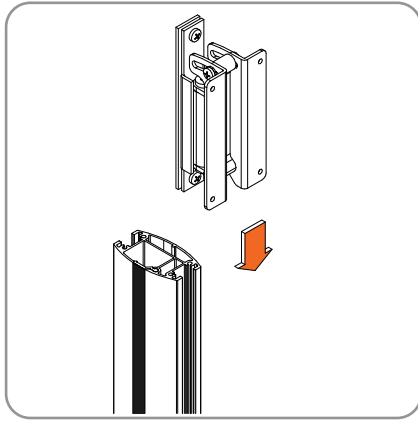
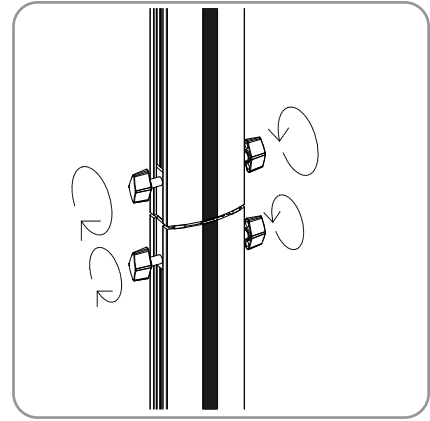
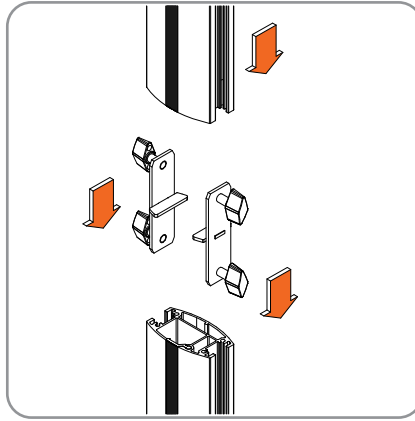
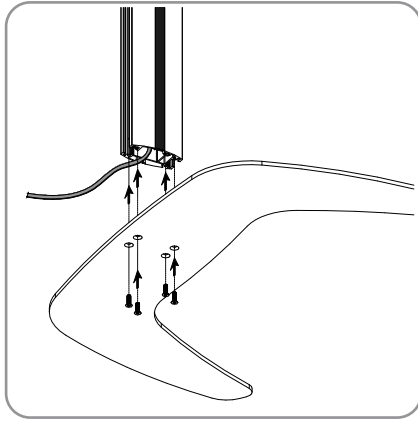


IMPACT SPANDREL MONITOR STAND : SET UP INSTRUCTIONS

Assembling the Spandrel Monitor Stand



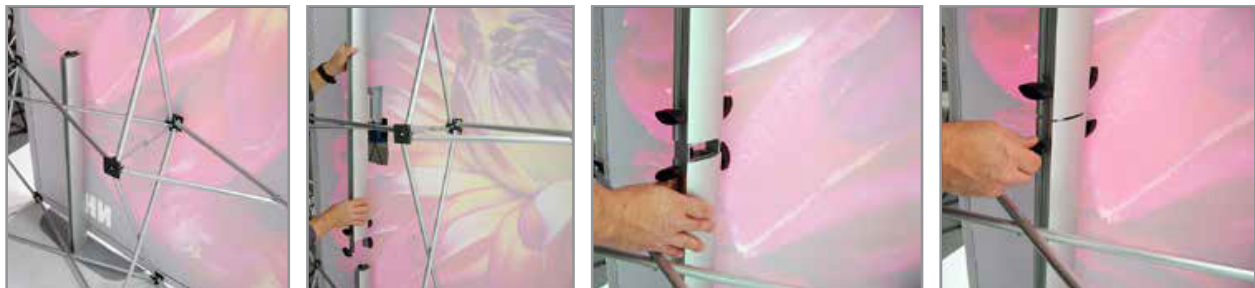
IMPACT SPANDREL MONITOR STAND : SET UP INSTRUCTIONS

Adding the Spandrel Monitor Mount to the Pop Up Display

1. From the bottom corner closest to the area where the monitor mount will be positioned, pull the graphic up to insert the base & bottom section of the Spandrel Monitor Mount into place. Then reattach graphic to the frame.



2. From the backside attach the top portion of the Spandrel Monitor Mount and tighten.



3. Attach the monitor bracket to the Spandrel Monitor Mount stand.

