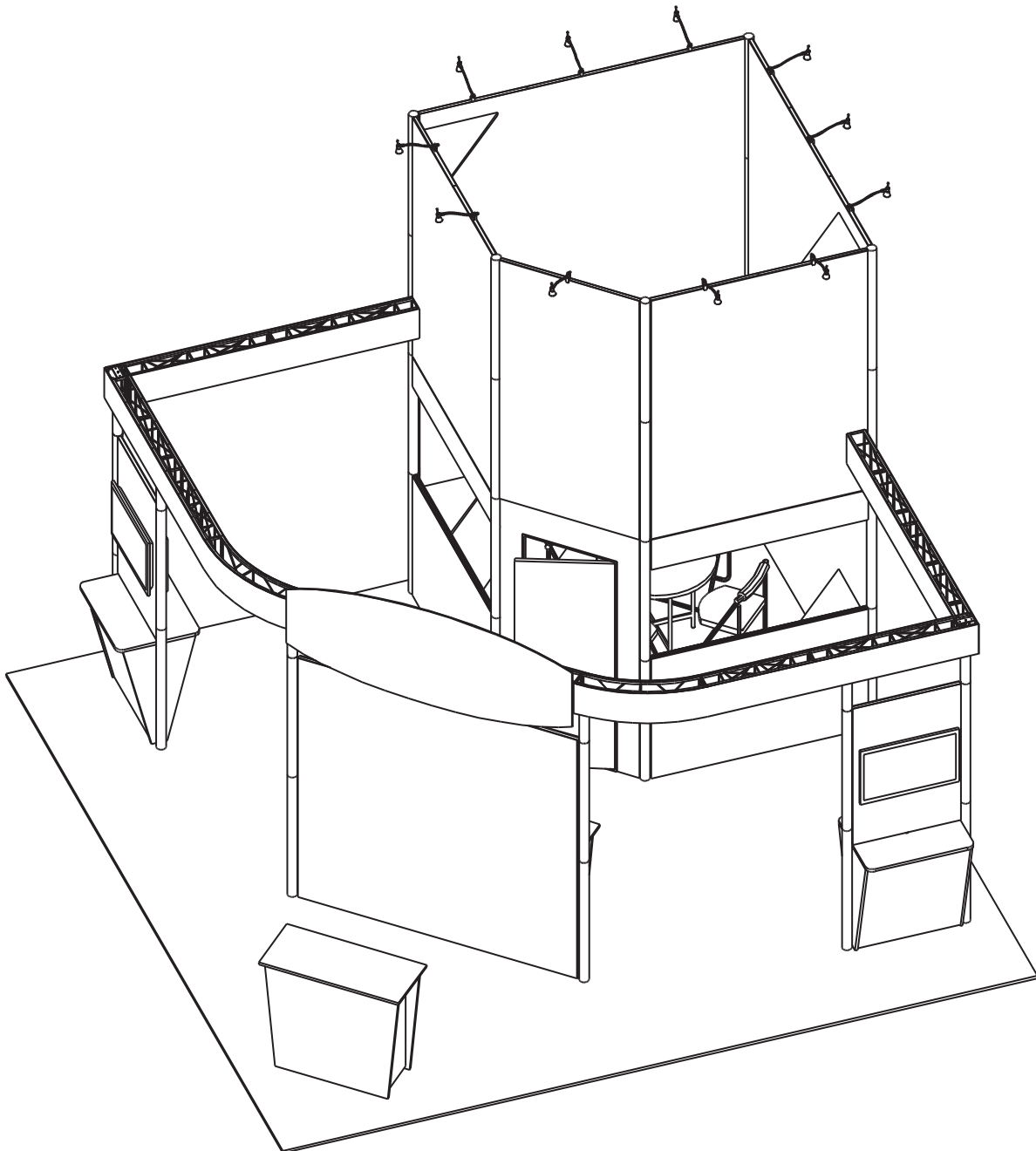


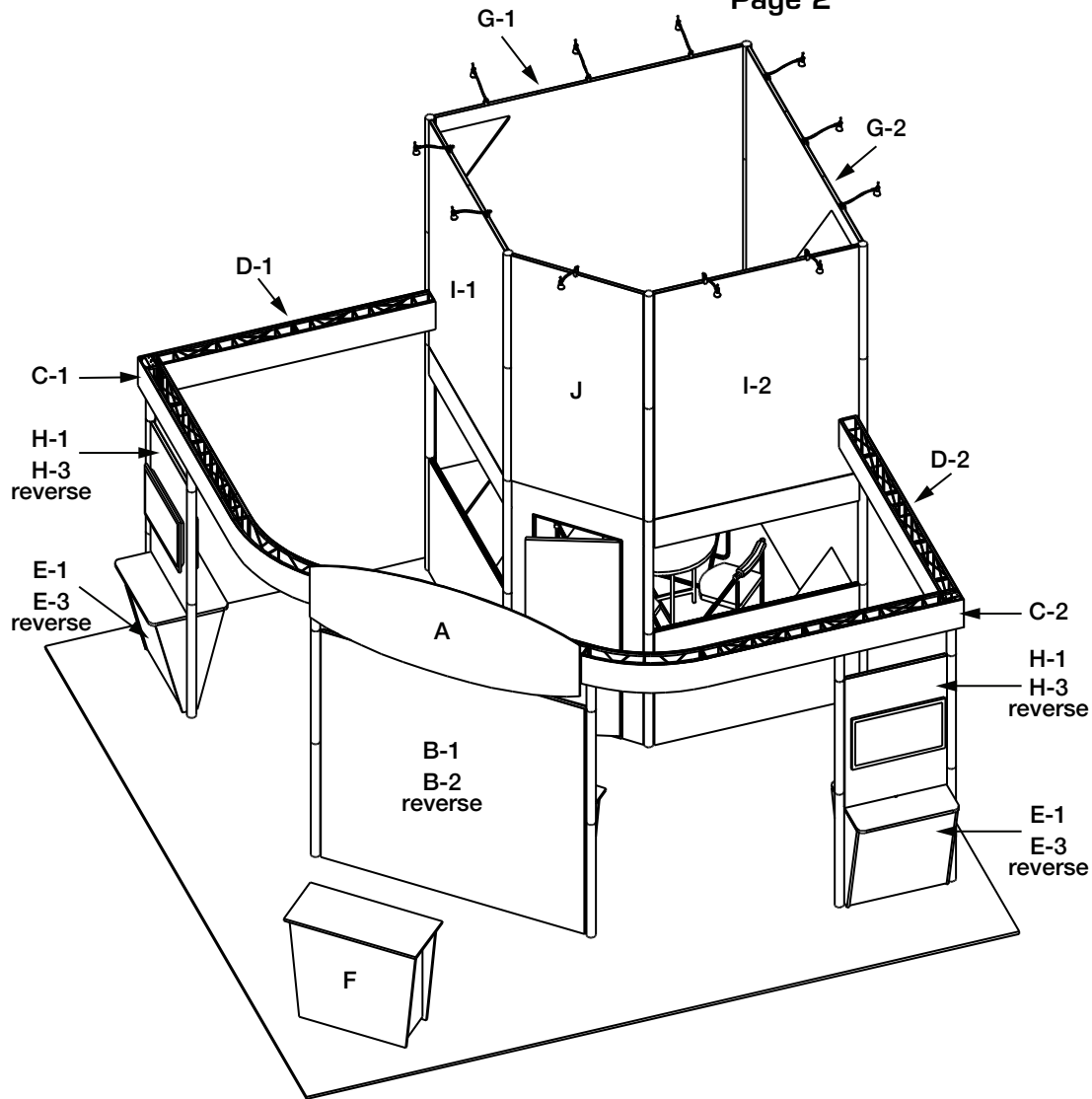
KIT AS SHOWN INCLUDES

- (1) Main mural graphic with profile cut header and running perimeter truss covers. Truss covers can be black, white or graphic.
- (1) Private meeting area, with two plexiglass windows and corner cabinets for media and small storage.
- (11) arm lights.
- (1) "EV2" standalone counter, 46"w x 22"d black laminate top, choice of sintra sides or graphics.
- (1) "EV2" double wide standalone counter behind main mural, 84"w x 22"d black laminate top, choice of sintra sides or graphics.
- (2) "EV2" double sided workstation counter with in-wall monitor mounts on both sides, black laminate top, 34.5"w x 13"d each side. Counter fronts may be choice of sintra or graphic.

CHOICE of black, white or gray sintra provided standard for all solid infill walls that do not have graphics, unless described otherwise.

- * White laminate standard for EV2 Wall Counter sides. Front may be choice of sintra colors or printed graphic.
 - White laminate standard for EV2 Standalone Counter front. Sides may be choice of sintra colors or printed rigid graphic.
- Consult your account rep for options. Additional elements, merchandising and graphics are available.





GRAPHICS - PACKAGE A

- A. - (1) 94"w x 36"h, rigid. Refer to header template provided.
- B. - (2) 92"w x 92"h, rigid. Bottom 40" of inside facing graphic will be obscured by counter.
- C. - (2) 128"w x 11.5"h, flexible.
- D. - (2) 97.75"w x 11.5"h, flexible.

GRAPHICS - PACKAGE B

Package A, PLUS

- E. - (4) 33"w x 40"h, standard or backlit graphic front, flexible, fabric or rigid.
- F. - (1) 40"w x 35"h maximum size, SINGLE USE "low-tac" adhesive, front. Refer to template provided.
 White laminate will be visible 2" at edges or behind any smaller profile cut graphics. (Vector art/ cut lines must be provided for profile.)
- G. - (2) 103.5"w x 184"h, rigid.

GRAPHICS - PACKAGE C

Package A and B, PLUS

- H. - (4) 34.5"w x 52"h.
- I. - (2) 69"w x 92"h, rigid.
- J. - (1) 46"w x 92"h, rigid.

KIT PACKAGE PRICING DOES NOT INCLUDE chairs, benches, tables, computers, monitors/cables, and carpet. Additional elements, merchandising and graphics are available through your account representative.

Please follow our graphic file submission guidelines for all printed elements to avoid resubmission requests and delay. Allow at least 10 business days for graphic production.