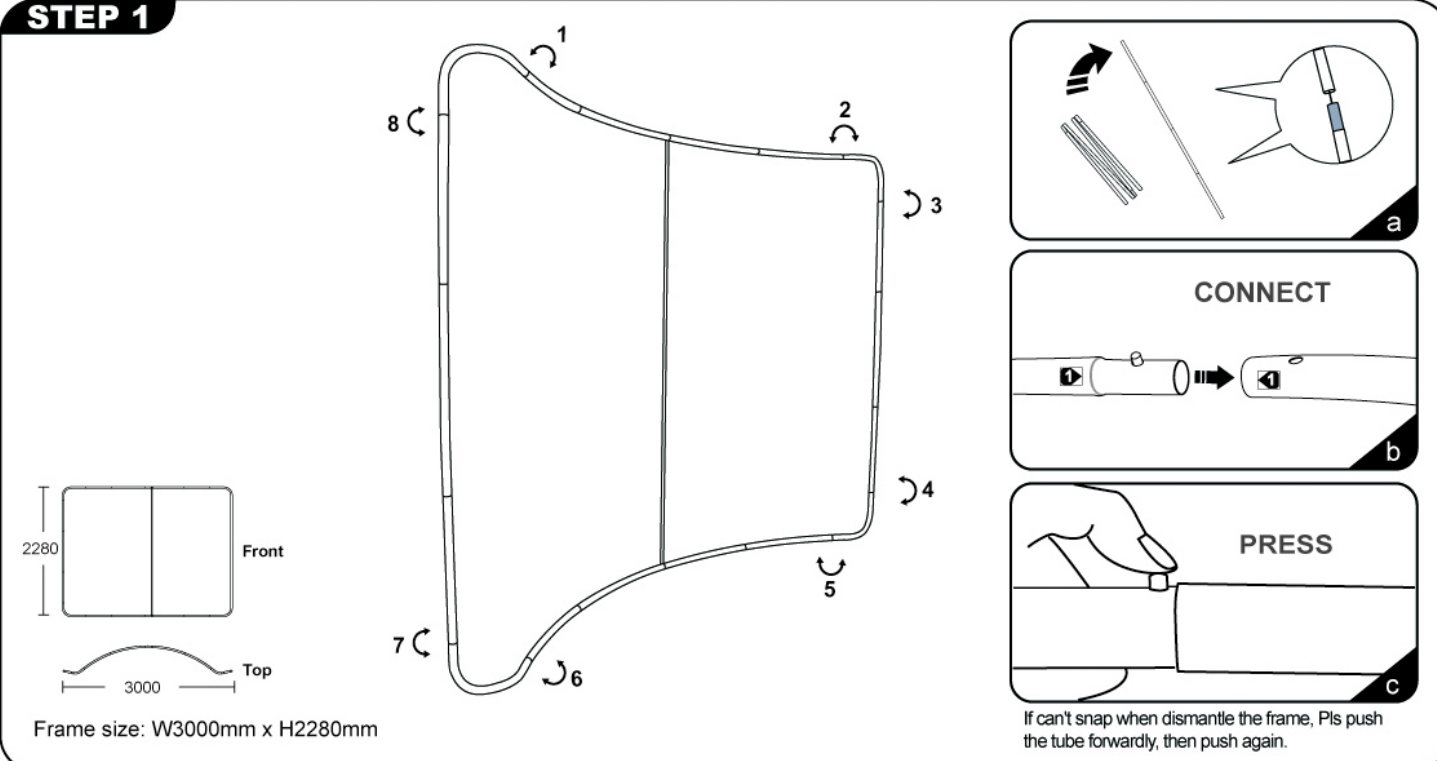


IMPACT FAST FABRIC CURVED : SET UP INSTRUCTIONS

Modern appearance, stable quality, practicability, and multiformity. Package and spotlights are available as accessories.

STEP 1



The diagram shows the assembly of the curved frame. It includes a main view with numbered steps 1 through 8 indicating the sequence of assembly. Step 1 shows the top edge being curved. Step 2 shows the right side being attached. Step 3 shows the bottom edge being attached. Step 4 shows the left side being attached. Step 5 shows the bottom edge being attached. Step 6 shows the left side being attached. Step 7 shows the bottom edge being attached. Step 8 shows the top edge being attached. Inset diagrams a, b, and c show the connection of the frame tubes. Diagram a shows the tubes being inserted into the frame. Diagram b shows the tubes being connected. Diagram c shows the tubes being pressed together.

Frame size: W3000mm x H2280mm

Front

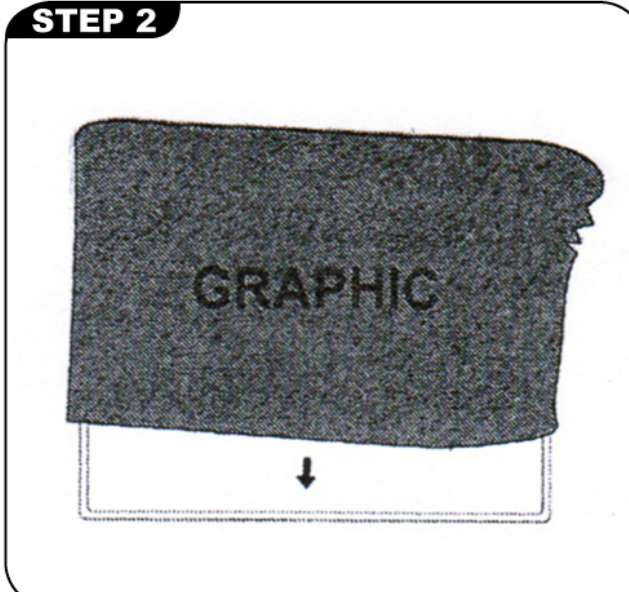
Top

CONNECT

PRESS

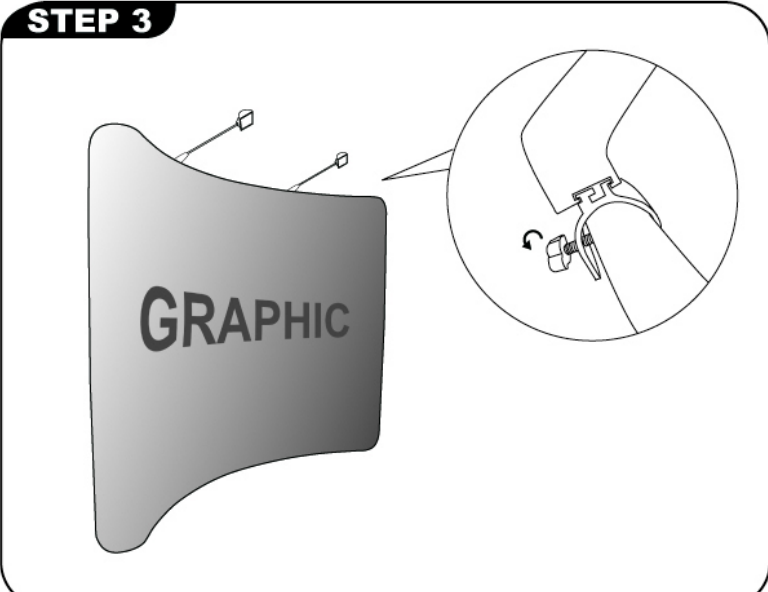
If can't snap when dismantle the frame, Pls push the tube forwardly, then push again.

STEP 2



The diagram shows a dark fabric graphic with the word "GRAPHIC" printed on it. An arrow points down to a dashed outline of the frame, indicating that the graphic should be placed on the frame.

STEP 3



The diagram shows the graphic being secured to the frame. A hand is shown using a tool to secure the graphic to the frame. An inset diagram shows a close-up of the hand using the tool to secure the graphic to the frame.