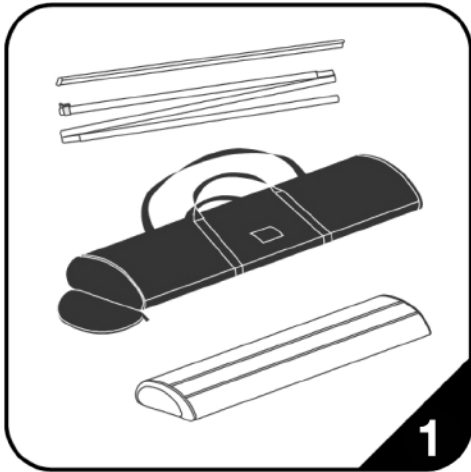
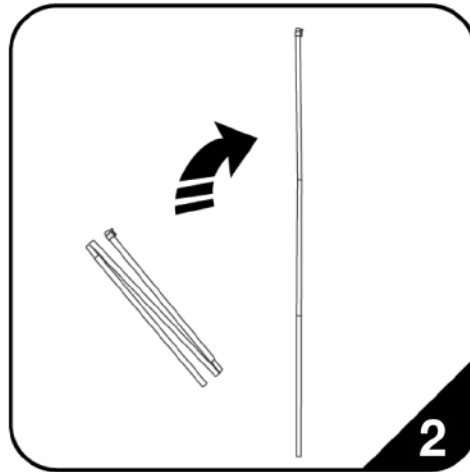


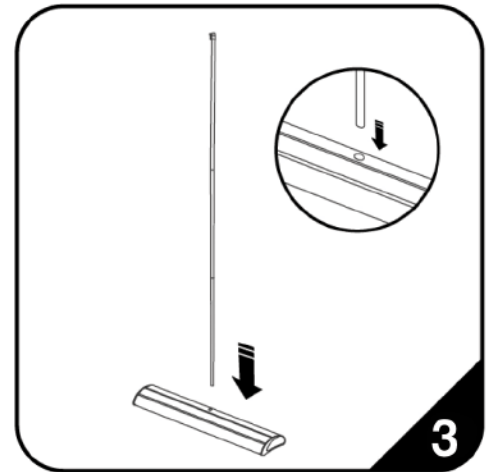
IMPACT PREMIER RETRACTABLE BANNER STAND - Set Up Instructions



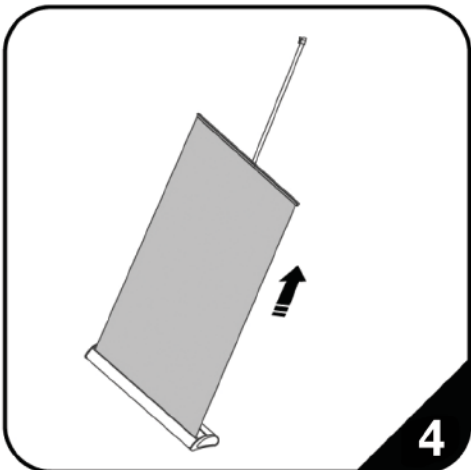
1. The case should contain a base unit, 3-piece pole and upper banner.



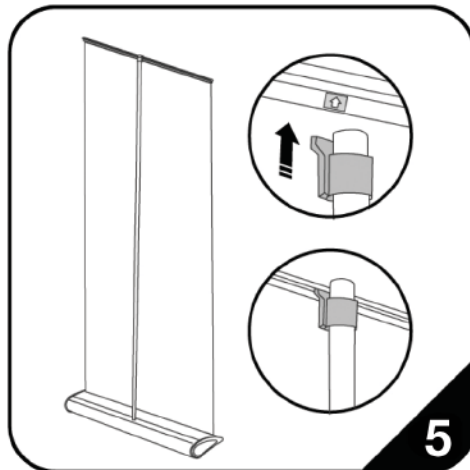
2. Unfold the pole and slip the pieces together to assemble it to a rigid pole (the hooked end corresponds to the top and the round end belongs to the bottom base).



3. The bottom of the assembled pole slides into the round socket in the centre of the base unit.



4. Unfurl the banner out of the base by tilting the unit backwards (this makes unraveling the graphic easier).



5. The hook at the top of the pole slips into the rear slot of the banner beam. A marker on the beam indicates the beam's centre where the pole should be inserted.



6. The unit can be levelled by adjusting the threaded feet at the bottom of the base unit.