

# FINALLY!

*Collapsible Furniture  
with the portable  
exhibit industry  
in mind.*



*You will be impressed  
with not only the  
strength and portability,  
but the look of this  
line of furniture.*



*Constructed of  
durable tubular steel  
& upholstered with  
fabric that will  
stand up to the  
rigors of tradeshow  
exhibition.*



◆ Silkscreening available.

▼ Below is a sampling of available seat, back, and wrap finishes.

▶ 2 chairs or stools and 1 table easily fit into a standard 2x4 panel case.

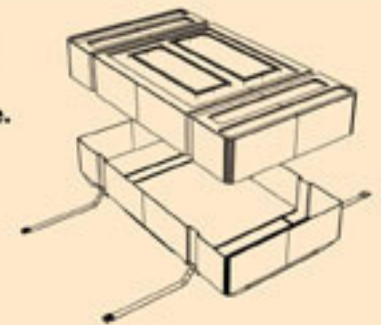
### Standard powder coat colors:



### Faux Leather:



### Standard Laminates:





**STANDARD TABLE**

Part # PTB-36R (36" Round)  
open: 36"W - 36"D - 30"H  
collapsed: 24"W - 36"L - 5"H



**BAR HEIGHT TABLE**

Part # PTB-30R (40"H x 30" Round)  
open: 30"W - 30"D - 40"H  
collapsed: 24"W - 40"L - 5"H



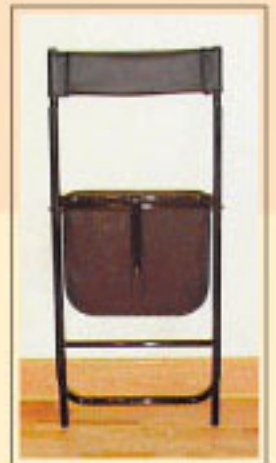
**SLING BACK CHAIR**

Part # PC-SLING  
open: 19-1/2"W - 20-1/2"D - 30"H  
collapsed: 19-1/2"W - 38"L - 4"H  
seated height: 18"



**CURVED BACK CHAIR**

Part # PC - CURVED  
open: 22-1/2"W - 20-1/2"D - 30"H  
collapsed: 22-1/2"W - 37"L - 4"H  
seated height: 18"



**FINALLY!**  
Collapsible Furniture  
with the portable  
exhibit industry in mind.



**SLING BACK STOOL**

Part # PS-SLING  
open: 19-1/2"W - 21-1/2"D - 37"H  
collapsed: 19-1/2"W - 45"L - 4"H  
seated height: 27"



**CURVED BACK STOOL**

Part # PS - CURVED  
open: 22-1/2"W - 21-1/2"D - 37"H  
collapsed: 22-1/2"W - 43"L - 4"H  
seated height: 27"